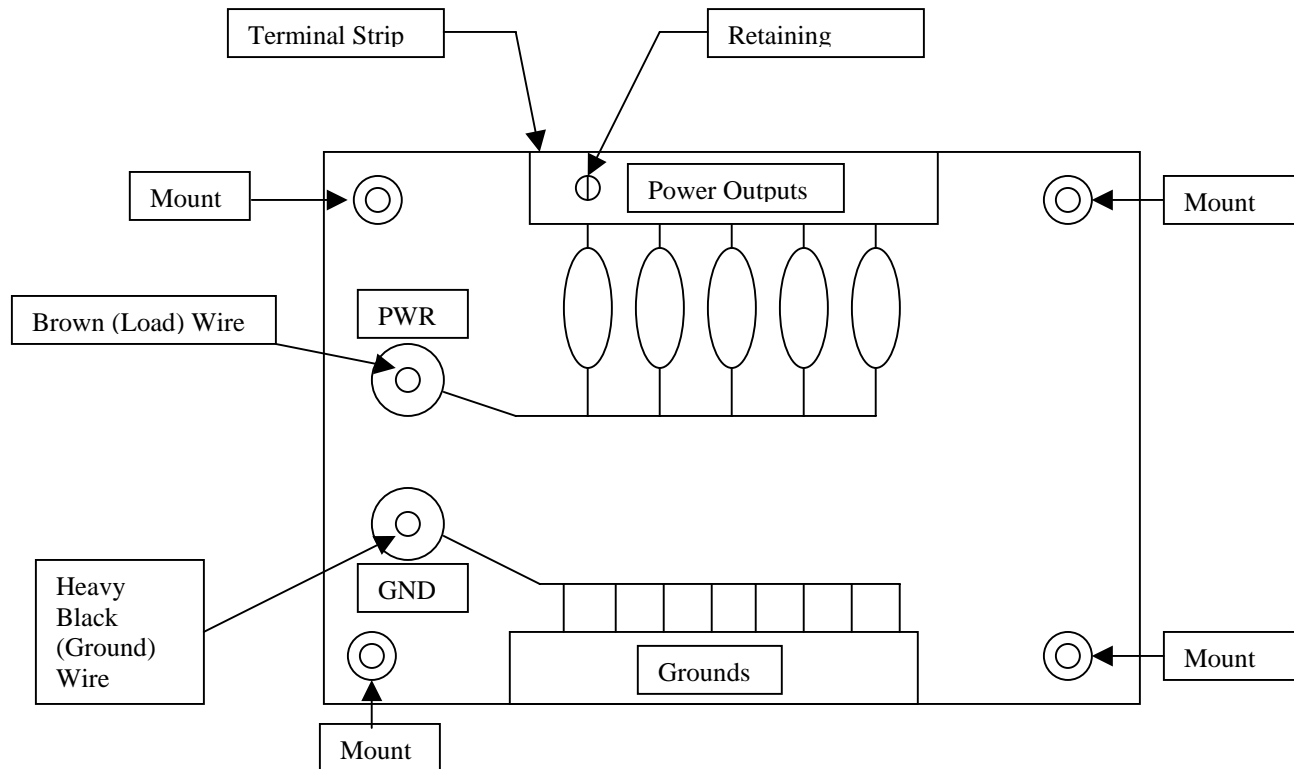


# Centech AP Relay Kit

## 30 and 70 Amp Relay Kit wiring instructions



1. Mount the relay and the AP-1 Panel
2. Connect the thin black ground wire from the relay to a "Ground" terminal on the AP-1 fuse panel ground strip.
3. Connect the heavy brown LOAD wire from the relay to the PWR stud on the AP-1
4. Connect the heavy red BATTERY + wire to your battery (+) post.
5. Connect the thin orange wire to a KEY-ON wire to operate the relay whenever the bike is in operation.
6. Connect the heavy black BATTERY - wire between your battery (-) post and the GND stud on the AP-1