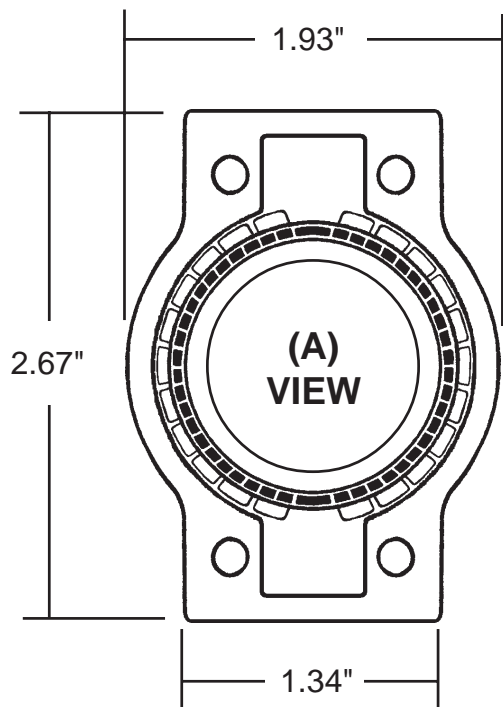
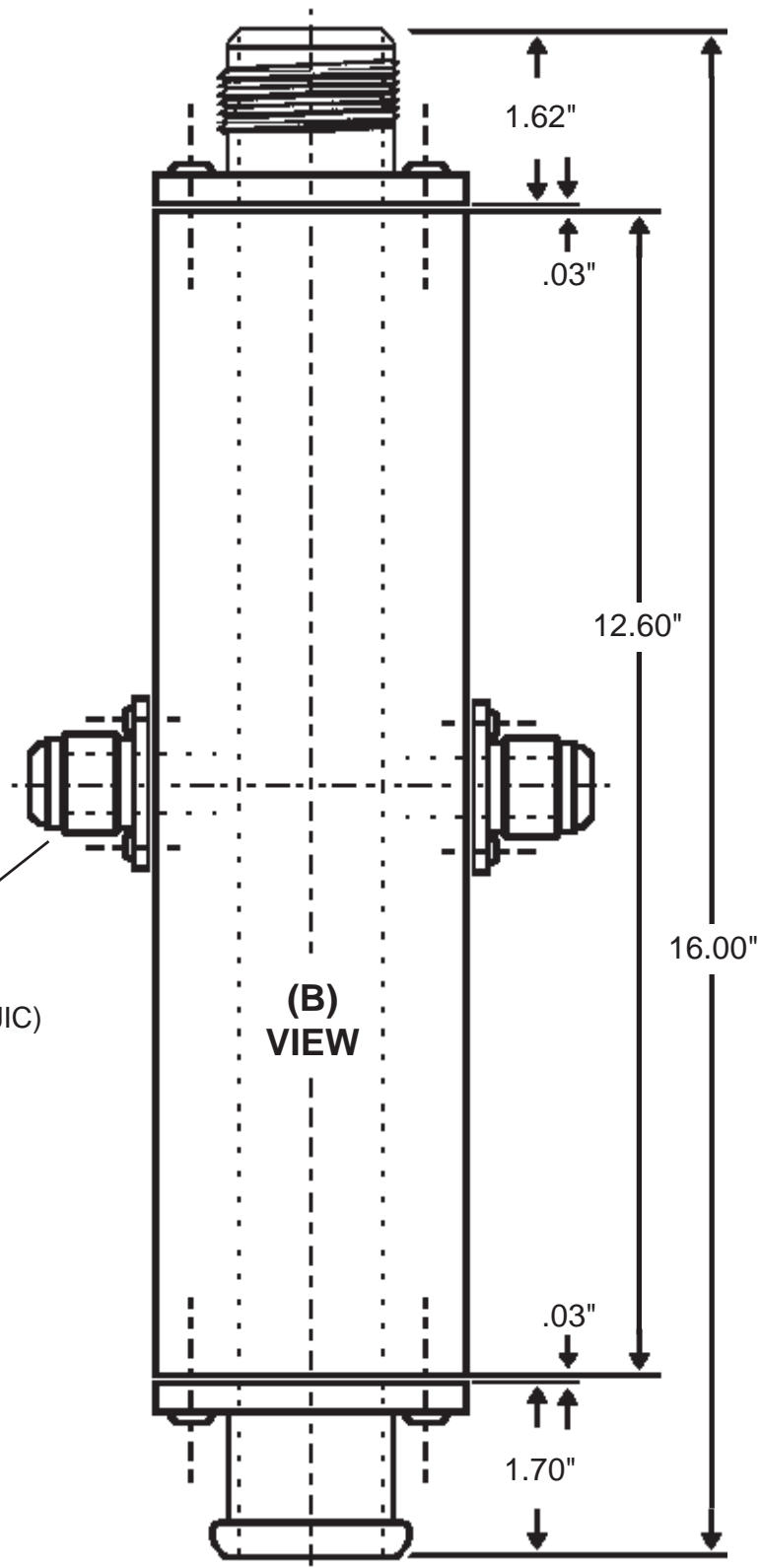


thread-on waterside fittings
(-16AN, -20AN, -24AN / JIC)



thread-on oilside fittings
(-8AN, -10AN, -12AN, -16AN / JIC)



push-on waterside fittings
(5/8", 3/4" 1.10", 1.25", 1.50" 1.75")

C43 Series Heat Exchangers

Cooler Cutaway (A View) same all sizes

A43-330 Cooler (B View)